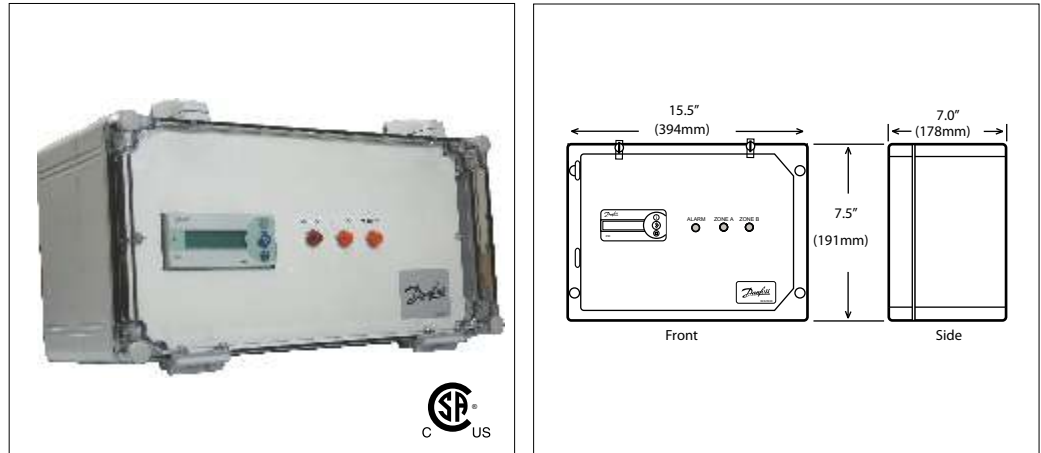


General Information



The GX 850 Dual Zone Automatic Control Panel (ACP) is the most optimal solution for keeping an area free of ice and snow. The GX 850 acts on information received from sensor(s) which register both temperature and moisture, then calculates the information ensuring that the heat will only be turned on when snow and/or ice is present. The result is optimal performance with maximum energy savings and minimum operating costs.

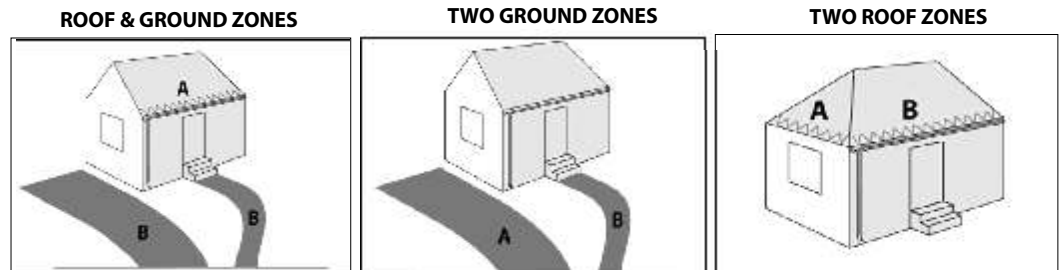
- User interface allows total control of snow melting system set points
- Set to maximum melting or maximum energy savings or anywhere in between
- Dual zone feature allows for energy savings and lower impact draw
- Digital sensors provide precise feedback on snow and ice conditions
- Fault finding program detects and alarms on faults
- Can be field upgraded to take advantage of new features

Technical Data

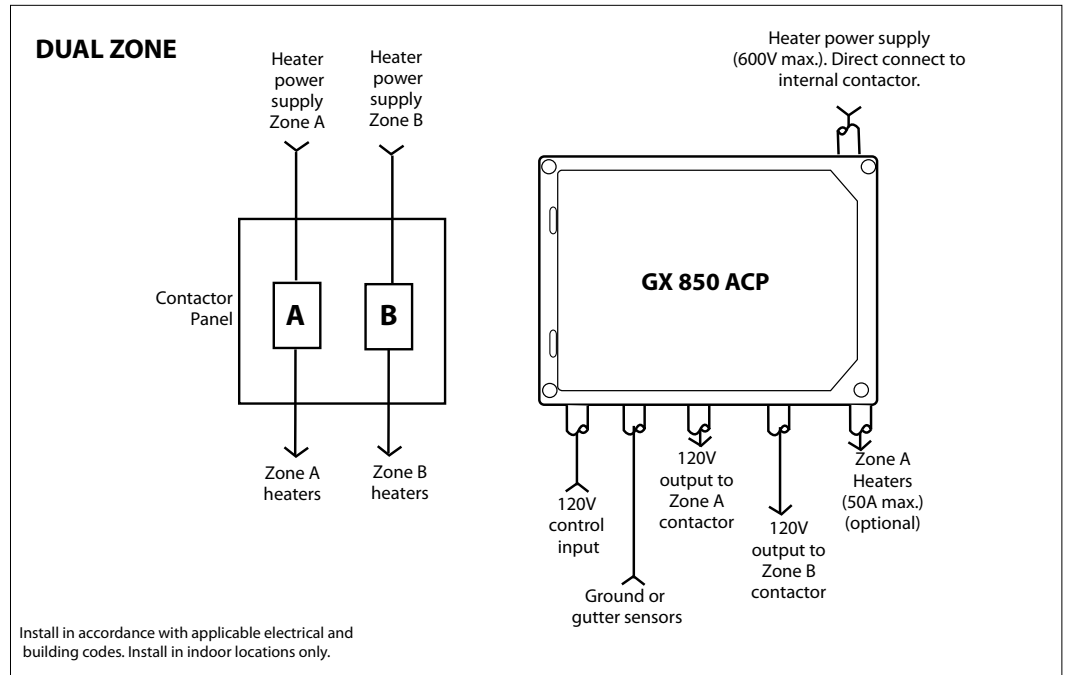
Control Voltage:	600V max
Max. heating lead:	50A
Max. ambient temperature:	15°F to 100°F (-10°C to +40°C)
Enclosure type:	NEMA 4X
Mounting:	Wall mounted, indoors
Dimensions (HxWxD):	10.5"x13.5"x7.5"

*Requires ground and/or roof sensors

*System larger than 50A will require the use of timer/contactors panels used in conjunction with the GX 850



Typical Installation



Ordering Information

GX 850 Dual Zone Automatic Control Panel

Part No.	Description	Voltage
088L3411	GX 850 Dual Zone Automatic Control Panel	208V-600V

Accessories

Part No.	Description
088L3051	Ground Sensors (2/package, include 50ft. lead wire)
088L3052	Roof Sensor (includes 50ft. lead wire)

See Danfoss catalog for contactor/timer panel ordering information

Warranty

2 years

Technical Services

For technical questions, please contact Danfoss Heating Division North America at **1- 866-676-8062**, or via the web at **www.DanfossLX.com**

Danfoss can accept no responsibility for possible errors in catalogues, brochures, other printed materials, and website information. Danfoss reserves the right to alter its products without notice. This also applies to products already on order provided that such alteration can be made without subsequent changes being necessary in specifications already agreed upon. All trademarks in this material are property of the respective companies. Danfoss and the Danfoss logotype are registered trademarks of Danfoss A/S. All rights reserved.



Danfoss Inc.
Toronto
Toll Free: 866-676-8062
Phone: 905-285-2050
Fax: 905-285-2055
www.DanfossLX.com

Danfoss GX
BRINGING WARMTH TO LIFE